



Spare Parts List



Stressor (HSM70)

Permaquip Ltd
Brierley Industrial Park, Stanton Hill,
Sutton-In-Ashfield, Nottinghamshire, NG17 3JZ
Tel: +44 (0) 1623 513349
Fax: +44 (0) 1623 517742
E-mail: sales@permaquip.co.uk
www.permaquip.co.uk

CONTENTS

1.	Issue and revision record	3
2.	Introduction	4
3.	Safe and Correct Use	4
4.	Assembly Parts	5
4.1	Main Assemblies	5
4.3	Ram Assembly Parts	7
4.4	Clamp Assembly Parts	9
5.	Labels	11
6.	Main Components and Assemblies	12
7.	Stressing Accessories	14

Please note

Whilst Permaquip Limited has taken every care in preparing this Spare Parts List it is intended as a technical guideline only. Save to the extent that there are statutory rights to the contrary, Permaquip accepts no liability in relation to any use or reliance made of any information in this Spare Parts List.

All information, illustrations and specifications in this Spare Parts List are based on the latest information available at the time of publication. The right is reserved to make changes at any time without notice.

Equipment operators and installers shall be responsible for ensuring that a safe working environment and safe systems of work are in place and in certain circumstances advice and permission from the controlling authority must be sought before any operation, installation or surveying work is carried out.

Permaquip™ is a trademark of Permaquip Ltd.
©2006 Permaquip Ltd.

2. INTRODUCTION

The Permaquip™ HSM70 Stressor is designed to be used in pairs to adjust the gap between rail ends for rail stressing, rail welding, repairing rail failures and for installing insulated joints.

The non-slip type clamps enable the gap to be maintained accurately in order to facilitate a stress-free weld.

The Permaquip™ Power Pack is designed to provide power for the Stressor.

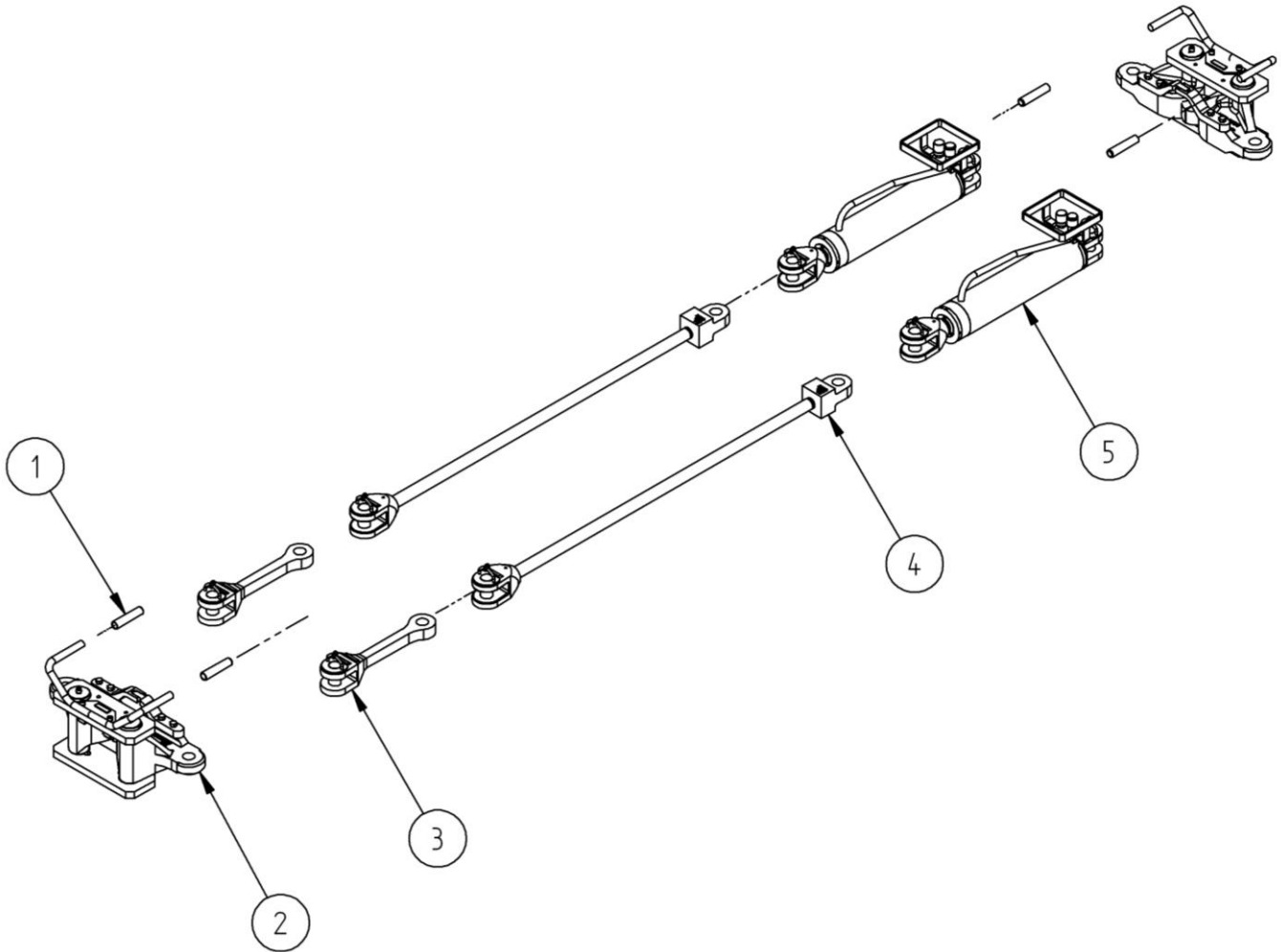
3. SAFE AND CORRECT USE

To ensure safe and correct use of the Permaquip™ HSM70 Stressor please refer to the product's User Guide.

Once any maintenance, repair or service operations have been undertaken, ensure that the Maintenance and Test Specification of the product, as defined in the product's User Guide, are followed.

4. ASSEMBLY PARTS

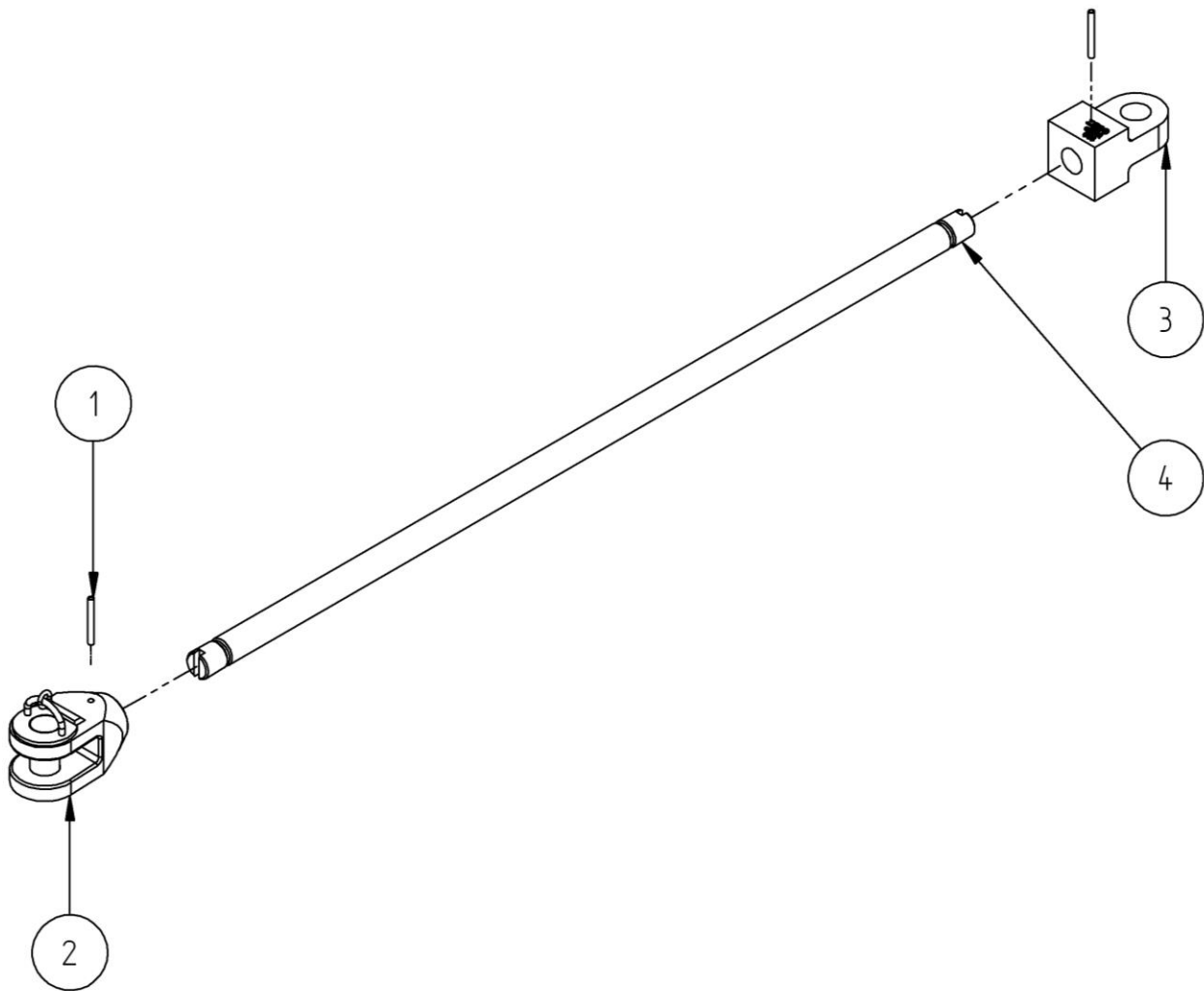
4.1 Main Assemblies



Item	Part No.	Description	Qty
1	040991546	RED HANDLE GRIP	4
2	03070	CLAMP ASSEMBLY (STD)	2
	33079	CLAMP ASSEMBLY (UIC60)	2
3	05039	SHORT TIE BAR ASSY	2
4	03071	LONG TIE BAR (5')	2
	06194	EXTENDED TIE BAR (10')	2
5	05024	RAM ASSEMBLY (WITH SCREW-IN QUICK RELEASE COUPLINGS)	2
	33293	RAM ASSEMBLY (WITH FLAT-FACE QUICK RELEASE COUPLINGS)	2

Note: Use Loctite 480 to secure Red Handle Grips (Item 1).

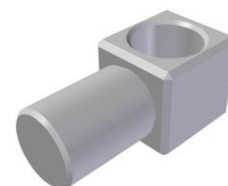
4.2 Tie Bar Assembly Parts



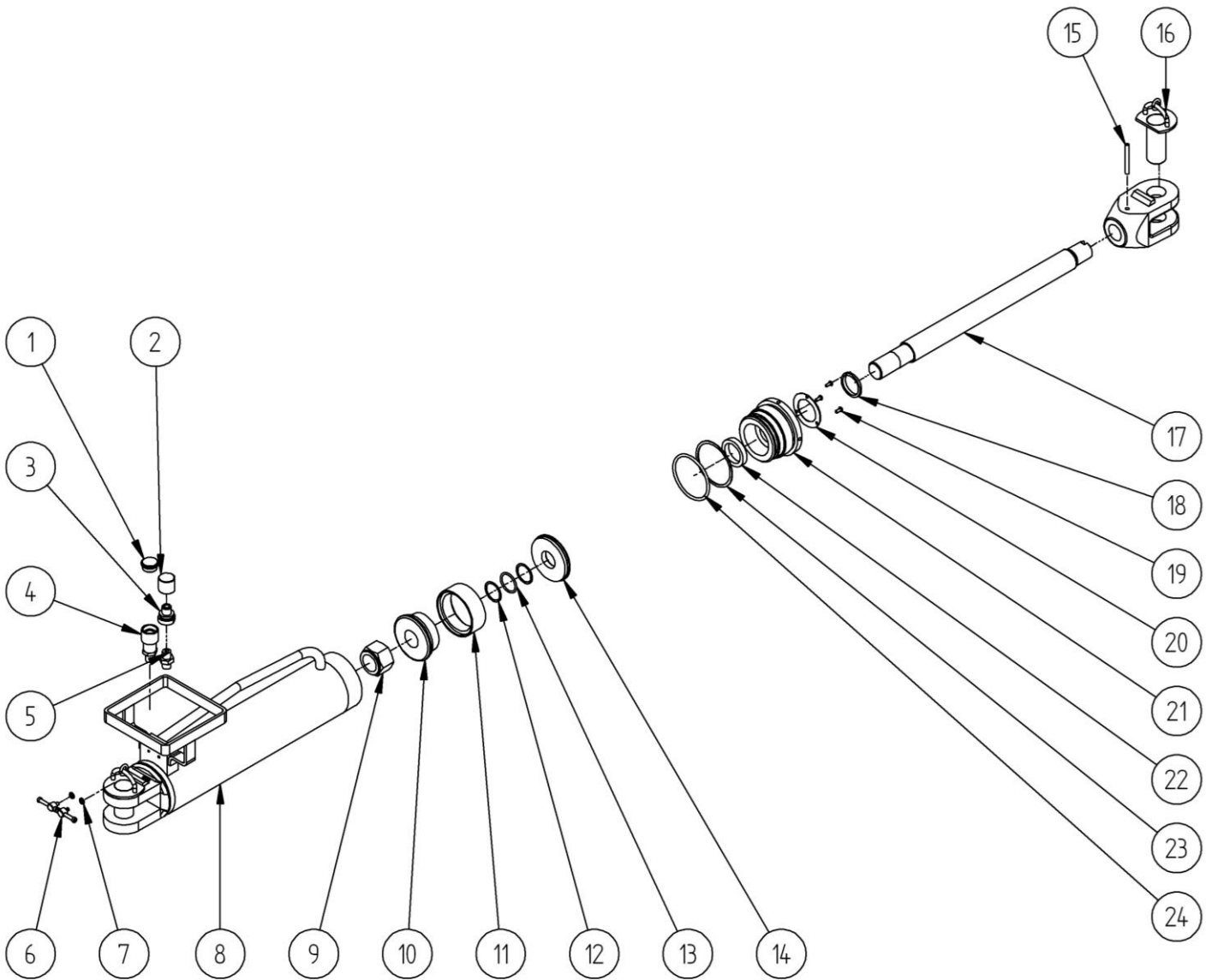
Item	Part No.	Description	Qty
1	040223241	Ø8 x 70 LG S/S SELOC PIN	2
2	30021	FORK END AND PIN W/ASSY	1
3	34495	CLEVIS W/A	1
4	03165	SCREWED BAR (5')	1
	03249	SCREWED BAR (10')	1



Check the pins and holes in Item 2 and 3 and Item 3 on P. 4 Main Assemblies with the Stressor Gauge (Part No. 34477)



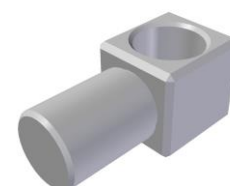
4.3 Ram Assembly Parts



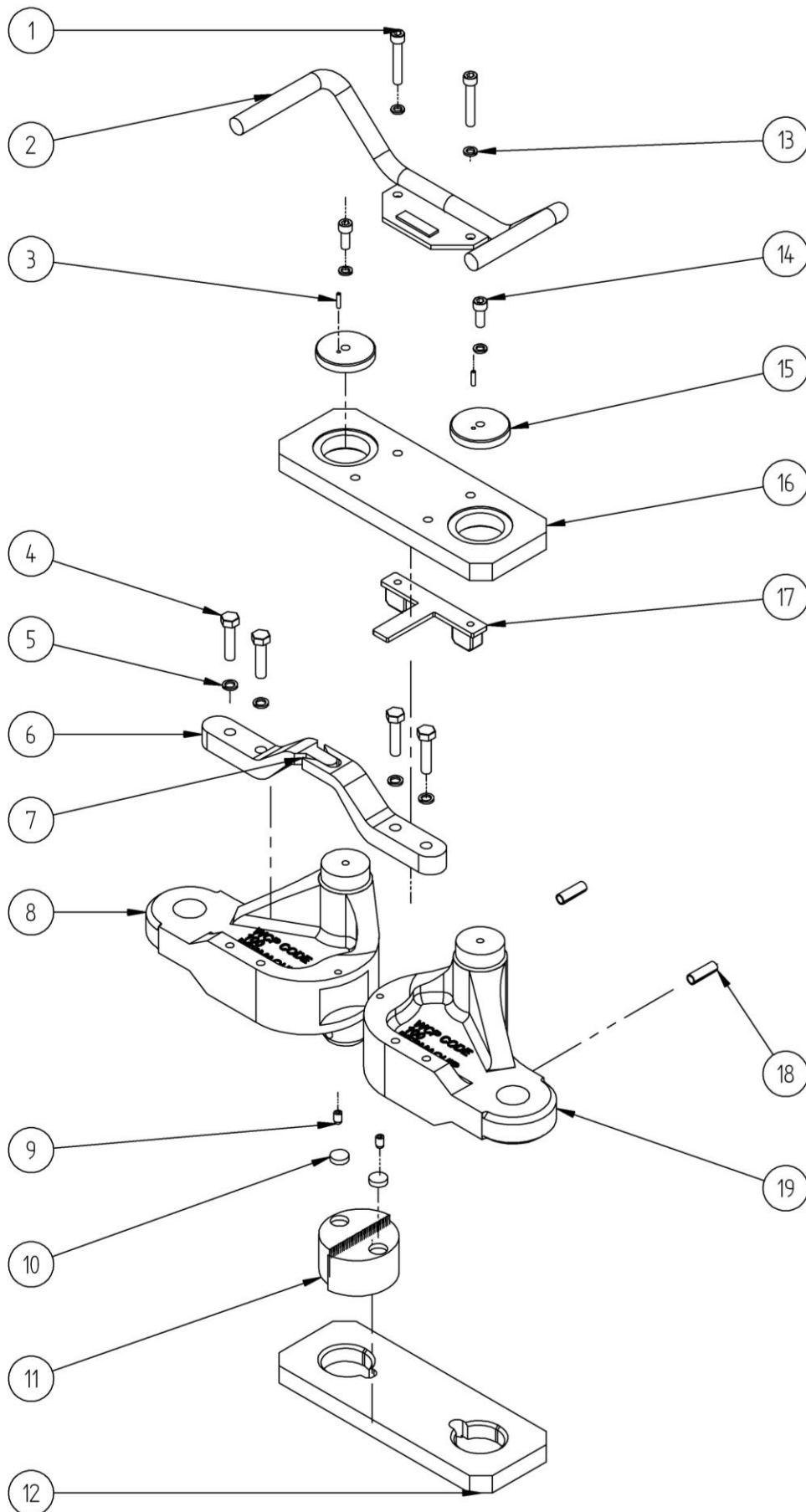
Item	Part No.	Description	Qty
1	040990430 040578098	FEMALE QUICK RELEASE COUPLING DUST CAP FEMALE DUST CAP (FOR 33293)	1 1
2	040990429 040578097	MALE QUICK RELEASE COUPLING DUST CAP MALE DUST CAP (FOR 33293)	1 1
3	040990427 040578094	3/8" NPT MALE QUICK RELEASE COUPLING 3/8" MALE FLAT FACED COUPLING (FOR 33293)	1 1
4	040990428 040578095	3/8" NPT FEMALE QUICK RELEASE COUPLING 3/8" FEMALE FLAT FACED COUPLING (FOR 33293)	1 1
5	040570055 040570055	3/8" NPT M STRAIGHT ADAPTOR 3/8" NPT M STRAIGHT ADAPTOR (FOR 33293)	1 2
6	05030	BLEED SCREW ASSY	2
7	040130001	1/4" BSW BONDED SEAL	2
8	05025	CYLINDER SUB-ASSY	1
9	05027	PISTON NUT	1
10	02819	PISTON	1
11	040060509	DOUBLE ACTING PISTON SEAL	1
12	040180060	BS222 BACK-UP RING	2
13	040010078	BS222 O RING	1
14	02820	PISTON SEAL RETAINER	1
15	040223241	Ø8 x 70 LG S/S SELOC PIN	1
16	30021	FORK END AND PIN W/ASSY	1
18	03176	PISTON ROD	1
19	040100324	Ø2.12" OD WIPER SEAL	1
20	040320240	M5 x 12 Zn PLATED SKT BUTTON HD SCREW	3
21	29764	RETAINING RING	1
22	03177	PISTON BEARING	1
23	040050022	ROD/PISTON SEAL 2.375"OD 1.75"ID 0.437" WIDE	1
24	040180010	BS342 BACK-UP RING	1
25	040010148	BS342 O RING	1



Check the pins and holes in Items 8 and 16 with the Stressor Gauge (Part No. 34477)



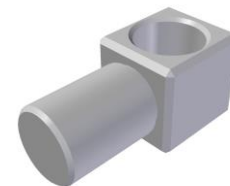
4.4 Clamp Assembly Parts



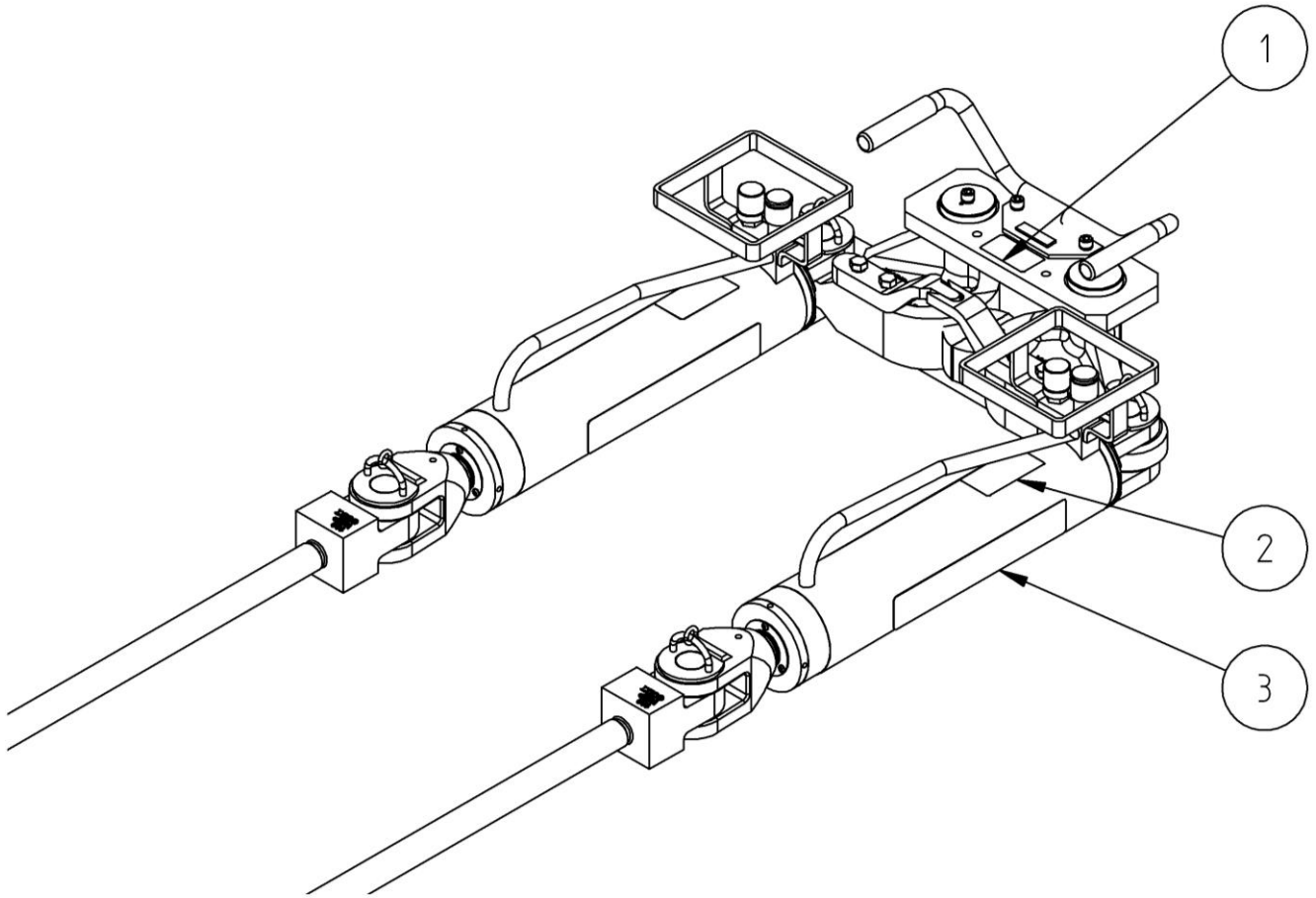
Item	Part No.	Description	Qty
1	040355084	M10 x 60 Zn PLATED SKT CAP HD SCREW	2
2	04537	HANDLE ASSY	1
3	040221212	Ø3/16" X 3/4" LG SELOC PIN	2
4	040315117	M12 x 50 Zn PLATED HEX HD SCREW	4
5	040260016	M12 Zn PLATED SPRING WASHER	4
6	02826	MALE CLAMP M/C	1
7	02827	FEMALE CLAMP M/C	1
8	03163	LEVER ARM LH	1
9	02129	MODIFIED GRUB SCREW	2
10	02130	RUBBER INSERT	2
11	01135	JAW	2
12	02809	BOTTOM LINK	1
13	040260008	M10 Zn PLATED SPRING WASHER	4 (6)
14	040315077	M10 x 25 Zn PLATED SKT CAP HD SCREW	2
15	02083	SPECIAL WASHER	2
16	02808	TOP LINK	1
17	05020	RAIL GUIDE (STANDARD)	1
	32766	RAIL GUIDE (UIC60)	1
18	040223240	Ø1/2" x 1 1/2" LG SELOC PIN	2
19	03164	LEVER ARM RH	1
20	040420013	M10 Zn PLATED NYLOC NUT (UIC60 ONLY)	2
21	040355080	M10 x 40 Zn PLATED CAP HD SCREW (UIC60 ONLY)	2
22	040285120	M10 Zn PLATED HD PLAIN WASHER (UIC60 ONLY)	2



Check the pin holes in Items 8 and 19 with the Stressor Gauge (Part No. 34477)








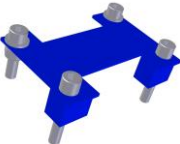








5. LABELS



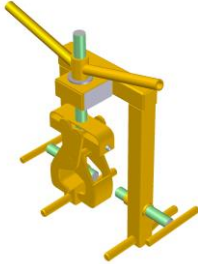





Item	Part No.	Description	Qty
1	33454	SERIAL NUMBER LABEL (CE)	2
2	33828	OIL CONTAMINATION LABEL	2
3	040991527	PERMAQUIP LABEL 300 x 50	4


6. MAIN COMPONENTS AND ASSEMBLIES

DESCRIPTION		PADS Cat. No.	PART NO
Stressor with Screw-in Quick Release Couplings (Standard excluding the Power Pack and Hoses)		69/26018 LUL Certificate Number PE007/1306	26910
Stressor with Flat-face Quick Release Couplings (Standard excluding the Power Pack and Hoses)			33296
Stressor with Screw-in Quick Release Couplings (For UIC60 excluding the Power Pack and Hoses)			32763
Stressor Power Pack with Screw-in Quick Release Couplings		65/029038	32834
Stressor Power Pack with Flat-face Quick Release Couplings			33282
Hose Assembly with Screw-in Quick Release Couplings (1/2 set)		65/029241	29657
Hose Assembly with Flat-face Quick Release Couplings (1/2 set)			33281

UIC60 Rail Guide Kit (1/2 set)			31803
Ram Seal Kit			05674
Hydraulic Ram Assembly with Screw-in Quick Release Couplings			05024
Hydraulic Ram Assembly with Flat-face Quick Release Couplings			33293
Clamp Assembly (Standard)			03070
Clamp Assembly (UIC60)			33079
Short Tie Bar Assembly			05039
Long Tie Bar Assembly (5')			03071
Extended Tie Bar Assembly (10')			06194
'C' Spanner (for replacement of Ram Seals)			05058

7. STRESSING ACCESSORIES

DESCRIPTION		PADS Cat. No.	PART NO
Rail Lifter			28797
Side Support Roller 'E' Plus Clip			33421
Standard Padscraper		39/53210	02296
Heavy Duty Padscraper		39/53212	03281
Under Rail Roller		39/51338	07160
PAN/SHC Side Support		39/63675	02349

DESCRIPTION		PADS Cat. No.	PART NO
AD Side Support		39/63671	04940
Mills Side Support		39/63676	03073
BJB Side Support		39/63672	26852
Pressure Relief Tools			34414

For spare parts please see the Spare Parts List.

Please contact Permaquip Ltd for further information and support.

Our contact details are shown on the front of this User Guide.

In order to avoid delay and to have your orders fulfilled promptly,

Please telephone, e-mail, fax or write giving the following information:

- 1. Company name.**
- 2. Contact details.**
- 3. Invoicing and delivery details.**
- 4. Purchase order number.**
- 5. Method of delivery.**
- 6. Part number, description and quantity for each item.**