



Spare Parts List



Type B Trolley (Standard and LUL)

Permaquip Ltd
Brierley Industrial Park
Stanton Hill, Sutton-In-Ashfield
Nottinghamshire, NG17 3JZ
Tel: +44 (0) 1623 513349
Fax: +44 (0) 1623 517742
E-mail: sales@permaquip.co.uk
www.permaquip.co.uk

CONTENTS

1. Introduction.....	4
2. Safe and Correct Use	4
3. Assembly Parts.....	5
4. Braked Wheel Assembly Parts.....	7
5. Wheel Assembly Parts.....	9
6. Miscellaneous Components and Assemblies	11
6.1 Deck Board Fasteners	11
6.2 Red Light Holding Bracket	11
6.3 Chassis Fixings	13
7. Main Components and Assemblies.....	14

Please note

Whilst Permaquip Limited has taken every care in preparing this Spare Parts List it is intended as a technical guideline only. Save to the extent that there are statutory rights to the contrary, Permaquip accepts no liability in relation to any use or reliance made of any information in this Spare Parts List.

All information, illustrations and specifications in this Spare Parts List are based on the latest information available at the time of publication. The right is reserved to make changes at any time without notice.

Equipment operators and installers shall be responsible for ensuring that a safe working environment and safe systems of work are in place and in certain circumstances advice and permission from the controlling authority must be sought before any operation, installation or surveying work is carried out.

Permaquip™ is a trademark of Permaquip Ltd.

1. INTRODUCTION

The Permaquip™ Type B Trolley is designed to be used as a manual propelled, stand-alone load-bearing rolling platform for use on-track.

Each Type B Trolley is equipped with a fail-safe braking system and is supplied with a detachable Brake and Push Handle.

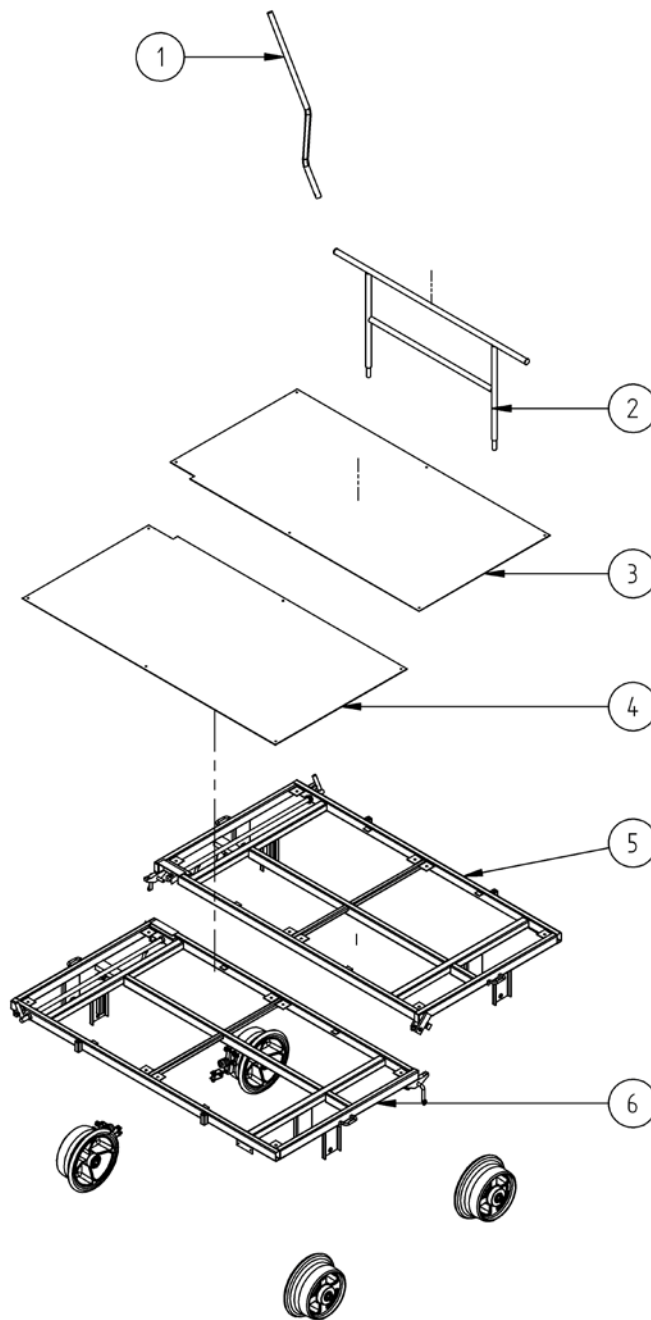
The Type B Trolley has been designed to be split into 2 halves to aid handling and transporting to and from site.

2. SAFE AND CORRECT USE

To ensure safe and correct use of the Permaquip™ Type B Trolley please refer to the product's User Guide.

Once any maintenance, repair or service operations have been undertaken, ensure that the Maintenance and Test Specification of the product, as defined in the product's User Guide, are followed.

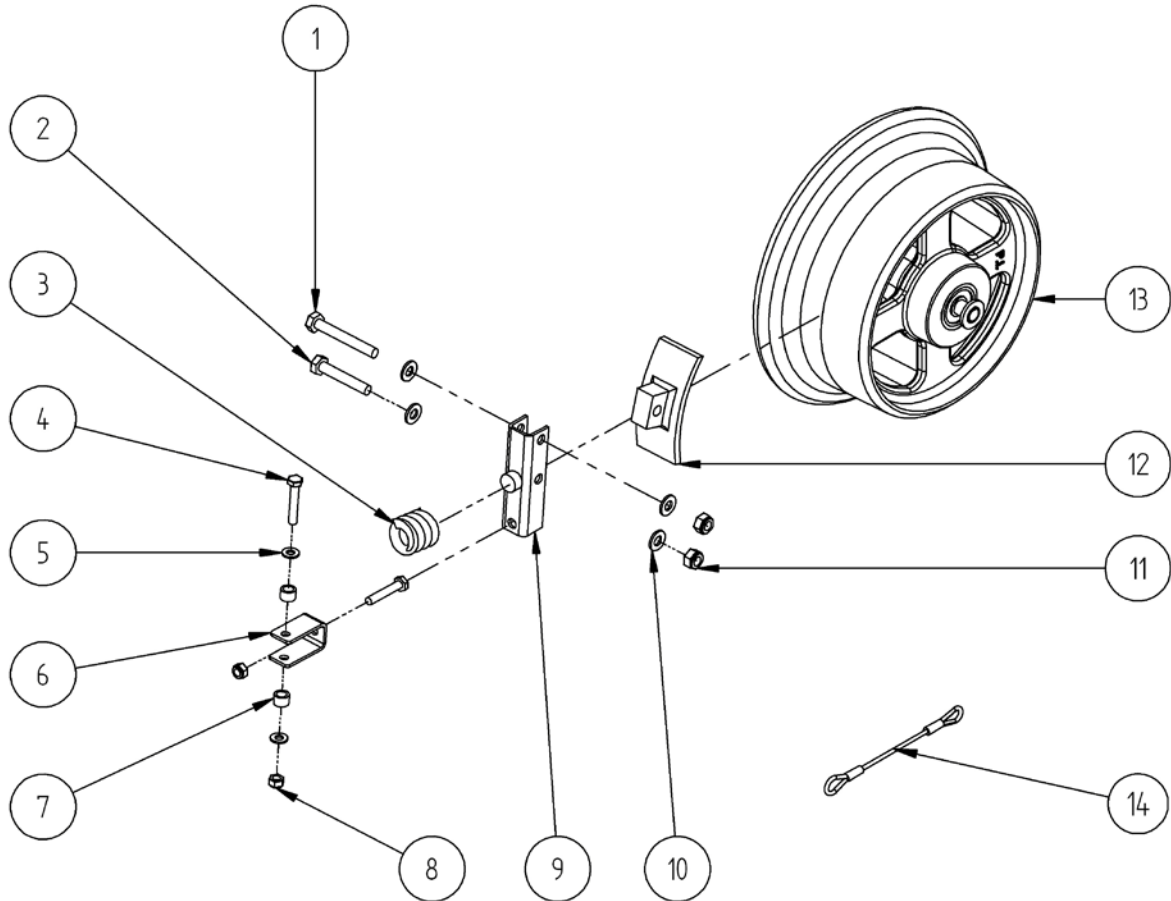
3. ASSEMBLY PARTS



Item	Part No.	Description	Qty
1	33489	BRAKE HANDLE	1
2	29457	WIDE PUSH HANDLE W/ASSY	1
3	33038	ALUMINIUM DECK (LUL ONLY)	1
	23733	WOODEN DECK (STANDARD ONLY)	1
4	34113	ALUMINIUM DECK (LUL ONLY)	1
	23733	WOODEN DECK (STANDARD ONLY)	1
5	23421	CHASSIS FEMALE W/A	1

6	23422	CHASSIS MALE W/A	1
---	-------	------------------	---

4. BRAKED WHEEL ASSEMBLY PARTS



Item	Part No.	Description	Qty
1	040305051	M10 x 75 Zn PLATED HEX HD BOLT	2
2	040305048	M10 x 60 Zn PLATED HEX HD BOLT	2
3	040980045	Ø1 1/2" OD x 2" LG DIE SPRING	2
4	040315070	M8 x 45 Zn PLATED HEX HD SCREW	4
5	040285104	M8 Zn PLATED PLAIN WASHER	4
6	22543	ADJUSTER	2
7	040990918	NYLON SPACER	4
8	040420012	M8 Zn PLATED NYLOC NUT	4
9	22541	PIVOT MEMBER W/A	2
10	040285105	M10 Zn PLATED PLAIN WASHER	8
11	040420013	M10 Zn PLATED NYLOC NUT	4
12	33486	BRAKE PAD ASSY	2
13	-	SEE 5. WHEEL ASSEMBLY PARTS	4
14	34315	CABLE ASSY	2

Notes: Item 14 Cable Assy directly replaces chain.

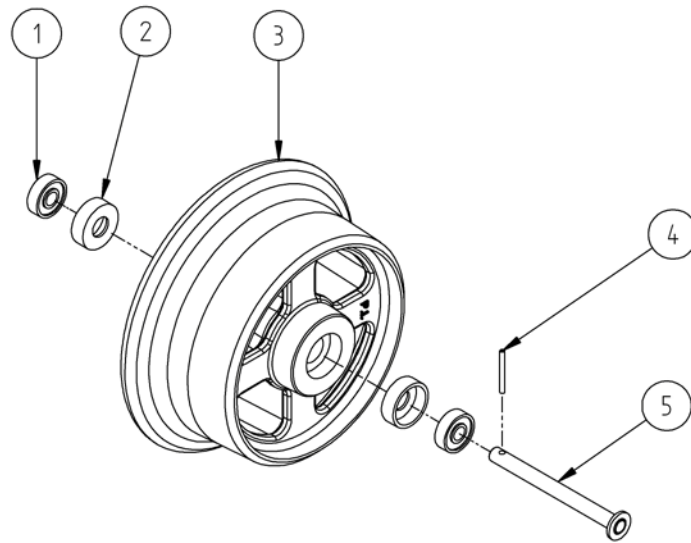




After changing any brake parts
check the brakes using the Brake
Test Tool (Part No. 34712).

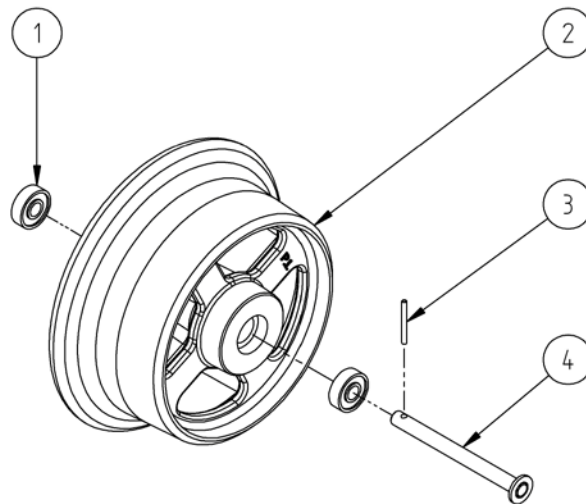
5. WHEEL ASSEMBLY PARTS

Insulated wheel assembly (LUL only)



Item	Part No.	Description	Qty
1	040560027	BEARING	8
2	04221	INSULATING BUSH	8
3	23905	M/C 10" WHEEL (LUL)	4
4	040222422	Ø5 x 50 LG SELOC PIN	4
5	22556	WHEEL AXLE W/A	4

Standard wheel assembly



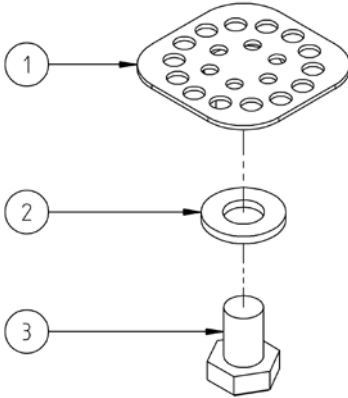
Item	Part No.	Description	Qty
1	040560027	BEARING	8
2	05106	M/C 10" WHEEL (STD)	4
3	040222422	Ø5 x 50 LG SELOC PIN	4

4	22556	WHEEL AXLE W/A	4
---	-------	----------------	---

6. MISCELLANIOUS COMPONENTS AND ASSEMBLIES

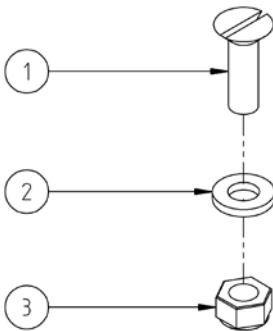
6.1 Deck Board Fasteners

Standard Wooden Deck Board



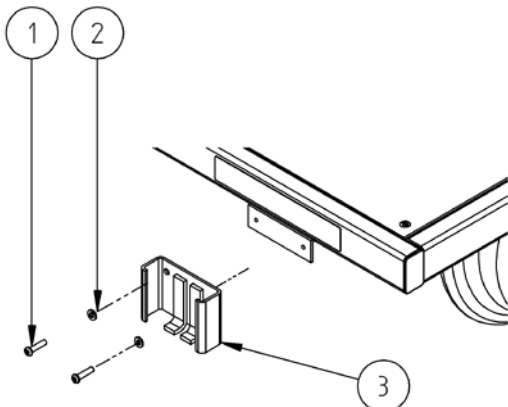
Item	Part No.	Description	Qty
1	040990832	M8 BIGHEAD FASTENER	6
2	040285104	M8 Zn PLATED PLAIN WASHER	6
3	040315063	M8 X 12 Zn PLATED HEX HEAD SCREW	6

Aluminium Deck (LUL Only).



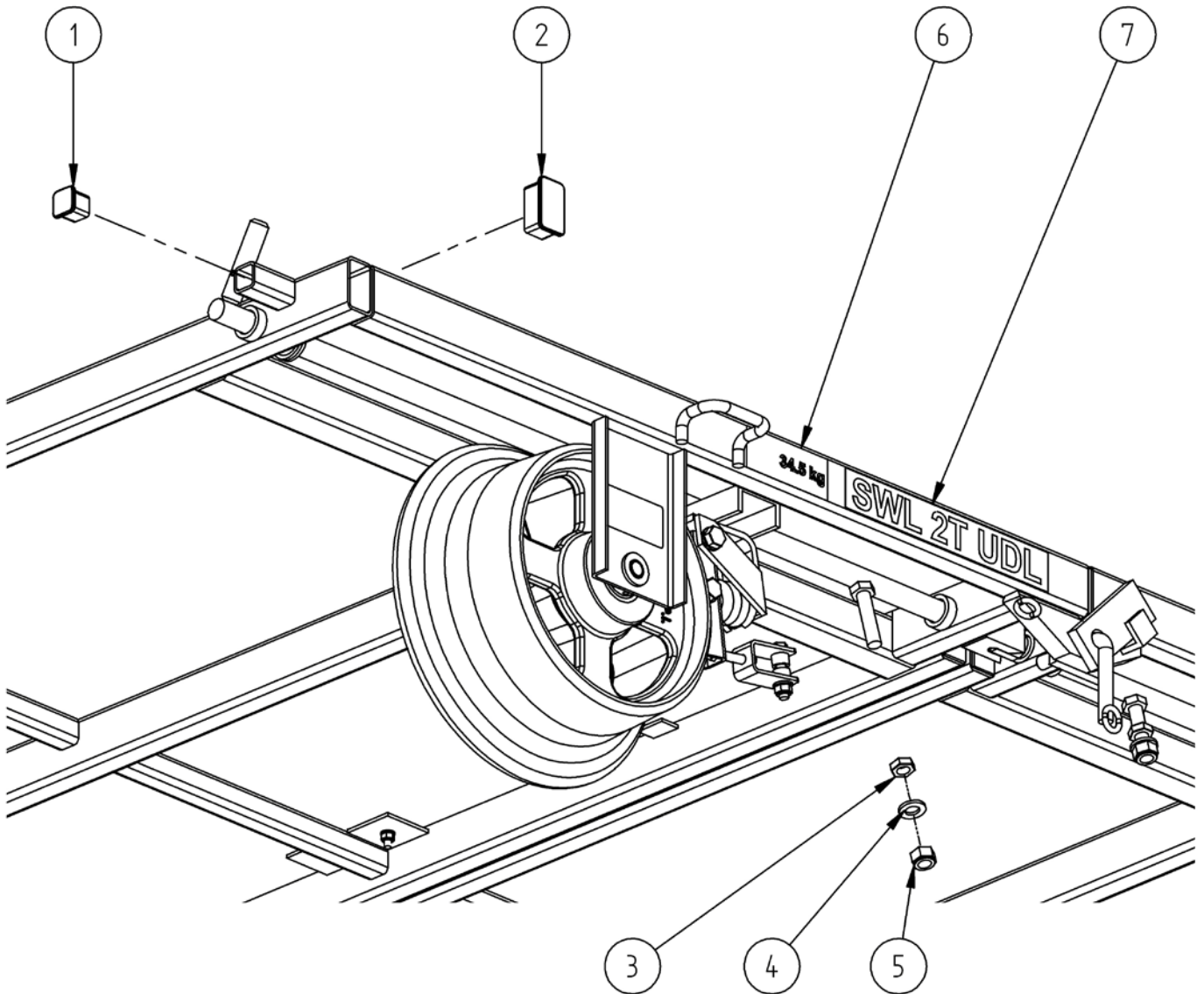
Item	Part No.	Description	Qty
1	040325032	M6 x 20 Zn PLATED SLOTTED CSK SCREW	6
2	040285103	M6 Zn PLATED PLAIN WASHER	6
3	040420011	M6 Zn PLATED NYLOC NUT	6

6.2 Red Light Holding Bracket






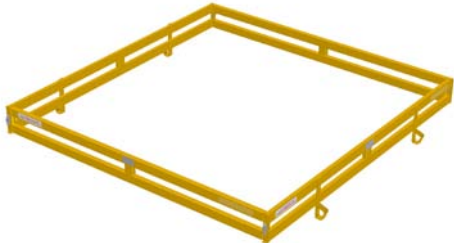
Item	Part No.	Description	Qty
1	040320260	M6 x 25 SKT BUTTON HD SCREW	4
2	040285103	M6 Zn PLATED PLAIN WASHER	4
3	33268	LIGHT BRACKET W/A	2

6.3 Chassis Fixings



Item	Part No.	Description	Qty
1	040990200	1" x 1" END CAP	2
2	040990202	30 x 50 END CAP	4
3	040445148	M12 Zn PLATED HALF NUT	2
4	040285121	M12 Zn PLATED HD PLAIN WASHER	2
5	040420015	M12 Zn PLATED NYLOC NUT	4
6	32984	34.5 KG LIFTING POINT LABEL	4
7	29750	SWL UDL LABEL	2
8	040991528	PERMAQUIP LABEL 200 x 33	2

7. MAIN COMPONENTS AND ASSEMBLIES

	DESCRIPTION	PADS Cat. No.	PART NO
Type B Trolley (Standard)		68/19193	24681
Type B Trolley (LUL)		LUL Cert. Number PE007/123B	27791
Type B Trolley (Standard with insulated wheels)			27789
Brake Test Tool			33270
Trolley Sides			33043

Red Light			040820218
-----------	---	--	-----------

For spare parts not shown please contact Permaquip Ltd for further information and support.

Our contact details are shown on the front of this User Guide.

In order to avoid delay and to have your orders fulfilled promptly,

Please telephone, e-mail, fax or write giving the following information:

- 1. Company name.**
- 2. Contact details.**
- 3. Invoicing and delivery details.**
- 4. Purchase order number.**
- 5. Method of delivery.**
- 6. Part number, description and quantity for each item.**

Your Notes

