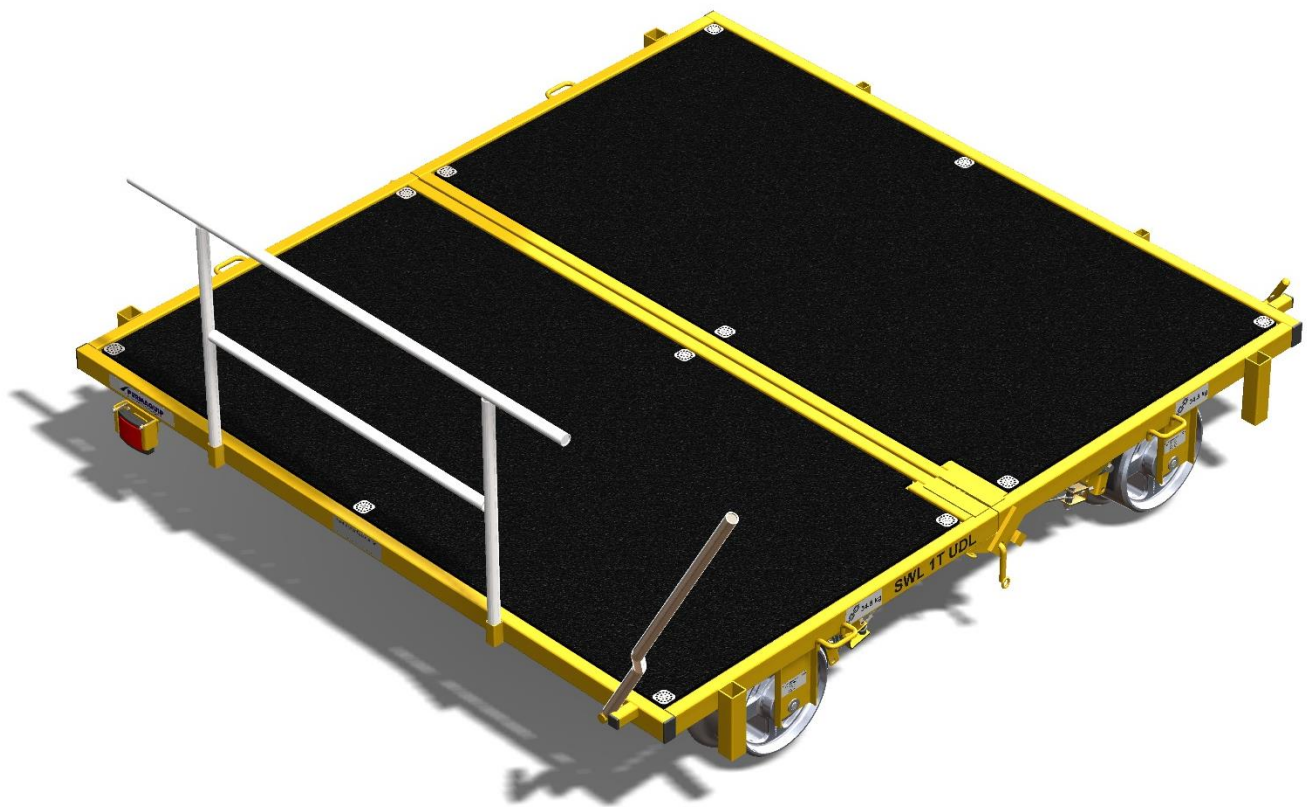


SPARE PARTS LIST



TYPE B TROLLEY

MAN-M-0-141_05



Permaquip Ltd

Old Sleningford Farm,
North Stainley,
Ripon,
North Yorkshire, HG4 3JB

Tel: +44 (0) 1623 513349

E-mail: sales@permaquip.co.uk
www.permaquip.co.uk



MADE IN BRITAIN

CONTENTS

1	Introduction.....	3
2	Issue and Revision Record.....	4
3	Safe and Correct Use.....	5
4	Assembly Parts.....	6
4.1	General Assembly	6
4.2	Braked Wheel Assembly Parts.....	7
4.3	Wheel Assembly Parts	8
4.4	Labels and End Caps	10
4.5	Deck/Board Fasteners	11
4.6	Red Light Brackets.....	12
4.7	Brake Pin.....	12
5	Main Components and Assemblies	13

Please note

Whilst Permaquip Limited has taken every care in preparing this Spare Parts List it is intended as a technical guideline only. Save to the extent that there are statutory rights to the contrary, Permaquip accepts no liability in relation to any use or reliance made of any information in this Spare Parts List.

All information, illustrations and specifications in this Spare Parts List are based on the latest information available at the time of publication. The right is reserved to make changes at any time without notice.

Equipment operators and installers shall be responsible for ensuring that a safe working environment and safe systems of work are in place and in certain circumstances advice and permission from the controlling authority must be sought before any operation, installation or surveying work is carried out.

Permaquip™ is a trademark of Permaquip Ltd.
©2006 Permaquip Ltd.

1 INTRODUCTION

The Permaquip™ Type B Trolley is designed to be used as a manual propelled, stand-alone load-bearing rolling platform for use on-track.

Each Type B Trolley is equipped with a fail-safe braking system and is supplied with a detachable Brake and Push Handle.

The Type B Trolley has been designed to be split into 2 halves to aid handling and transporting to and from site.

Any modifications or enhancements made by the user or third party which have not been approved by Permaquip are not recommended. Any modifications to the equipment will become the responsibility of the user or third party and the warranty with Permaquip will become null and void. Please see Permaquip's T and Cs on our website for further details.

Prior to using the Ironman, Permaquip advise all operators and personnel to familiarise themselves with the product. If required Permaquip product familiarisation training.

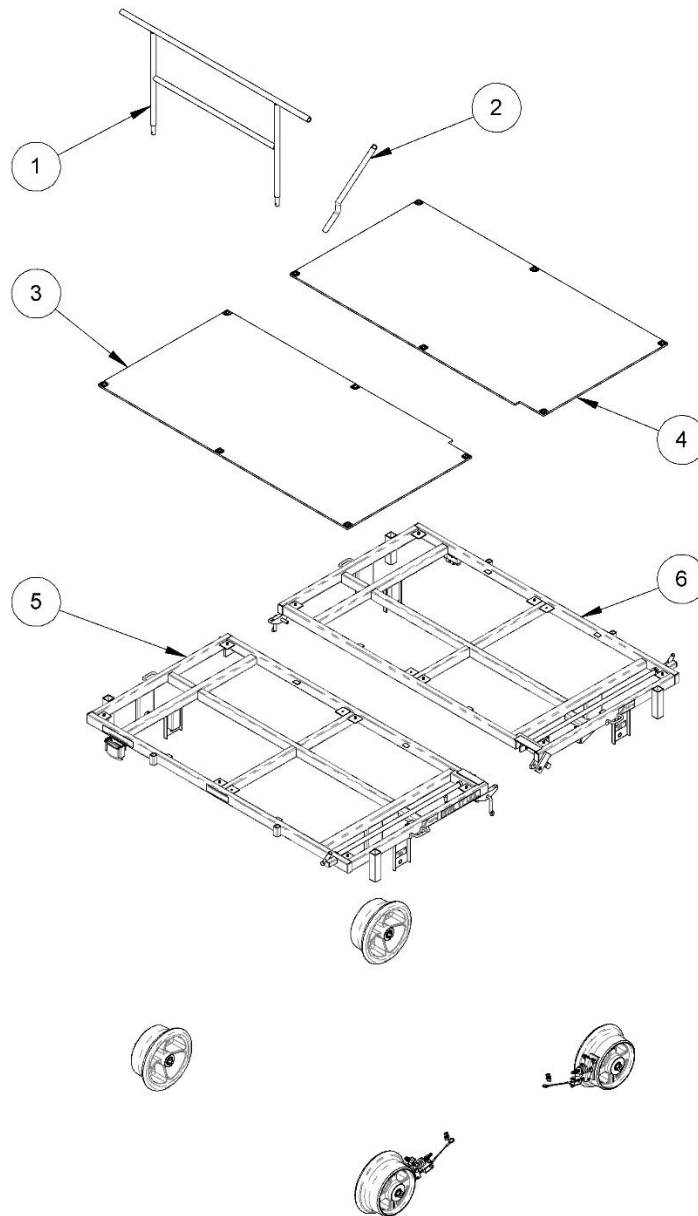
3 SAFE AND CORRECT USE

To ensure safe and correct use of the Permaquip™ Type B Trolley, please refer to the product's Operators & Maintenance Manual.

Once any maintenance, repair or service operations have been undertaken, ensure that the Maintenance and Test Specification of the product, as defined in the product's Operators & Maintenance Manual, are followed.

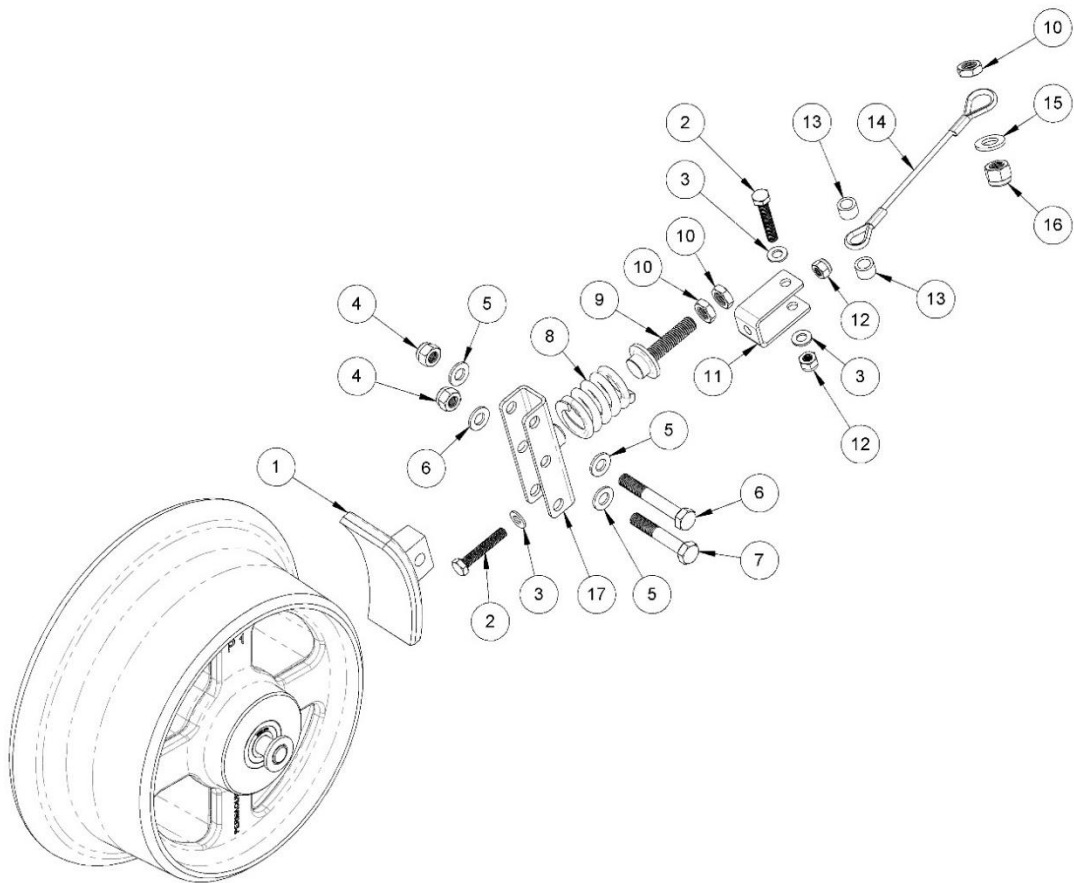
4 ASSEMBLY PARTS

4.1 General Assembly



Item	Part No.	Description	Qty
1	29457	Wide Push Handle W/A	1
2	33489	Brake Handle W/A	1
3	23733	Decking	1
	33038	Type B Treadplate Female	1
4	23733	Decking	1
	34113	Type B Treadplate Male	1
5	23421	Chassis Female W/A	1
6	23422	Chassis Male W/A	1

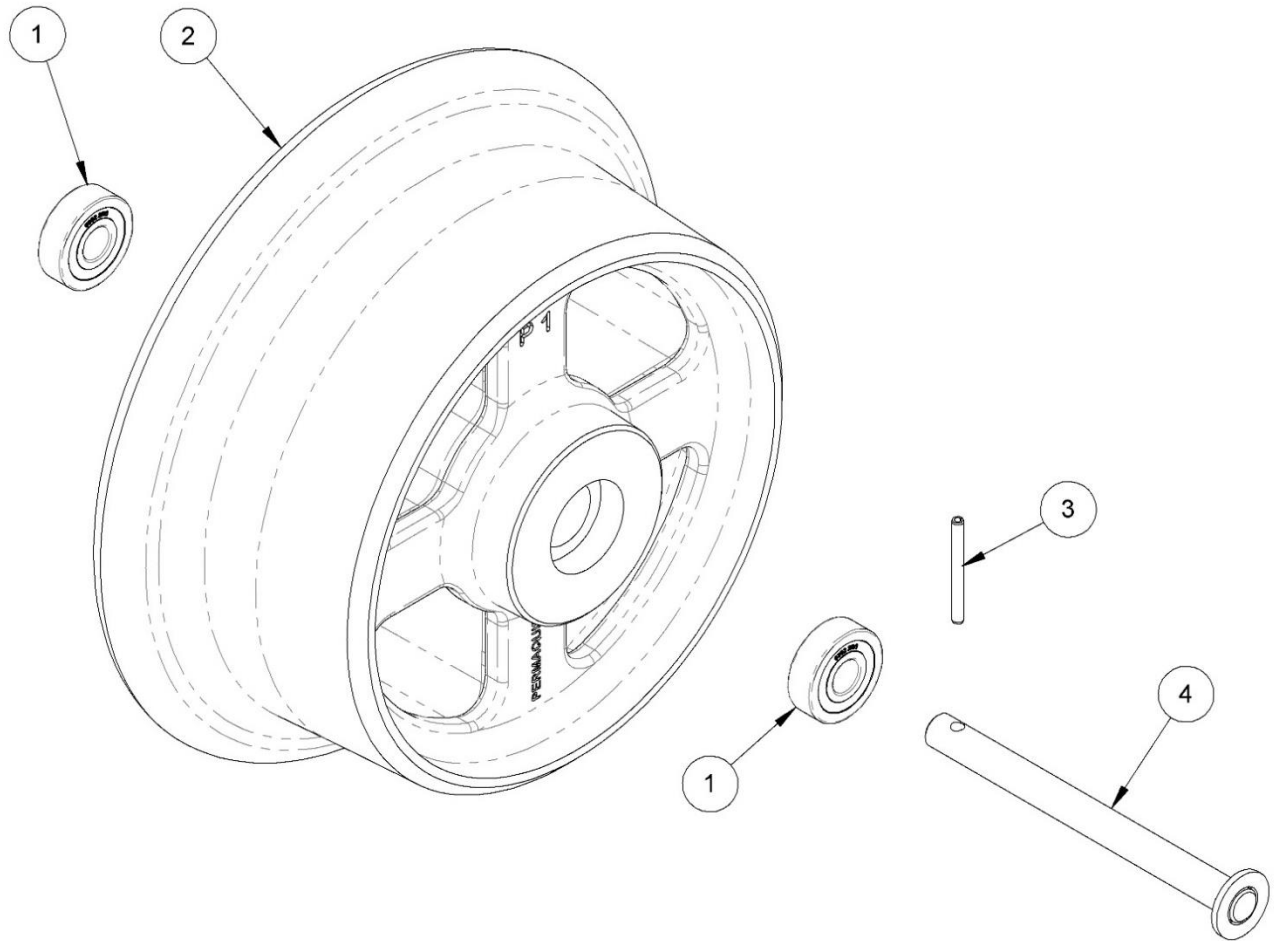
4.2 Braked Wheel Assembly Parts



Item	Part No.	Description	Qty
1	33486	Brake Pad Assembly Ø10"	2
2	040315070	M8 x 45 Hex Set Screw Zinc (8.8)	4
3	040285104	M8 Form A Washer Zinc	6
4	040420013	M10 Nyloc Nut Zinc (8.0)	4
5	040285105	M10 Form A Washer Zinc	8
6	040305051	M10 x 75 Hex Bolt Zinc (8.8)	2
7	040305048	M10 x 60 Hex Bolt Zinc (8.8)	2
8	040980045	Ø1 1/2" x 2" Die Spring	2
9	35641	Brake Adjuster	2
10	040445148	M12 Hex Half Nut Zinc (8.0)	6
11	22543	Adjuster	2
12	040420012	M8 Nyloc Nut Zinc (8.0)	4
13	040990918	Nylon Spacer Ø15 x 10 x ID10.3	4
14	34315	Cable Assembly	2
15	040285121	M12 Form E Washer Zinc	2
16	040420015	M12 Nyloc Nut Zinc (8.0)	2
17	22541	Pivot Member W/A	2

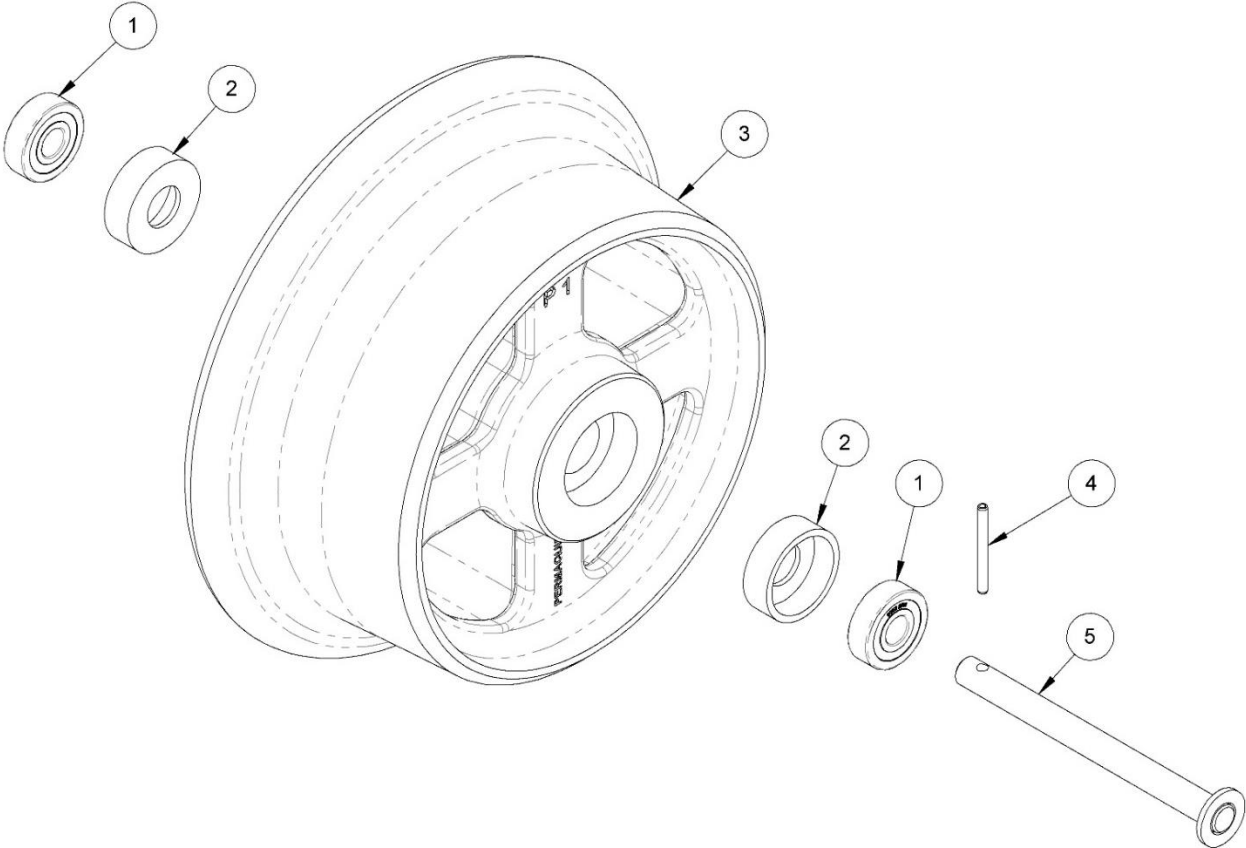
4.3 Wheel Assembly Parts

Standard Wheel Assembly



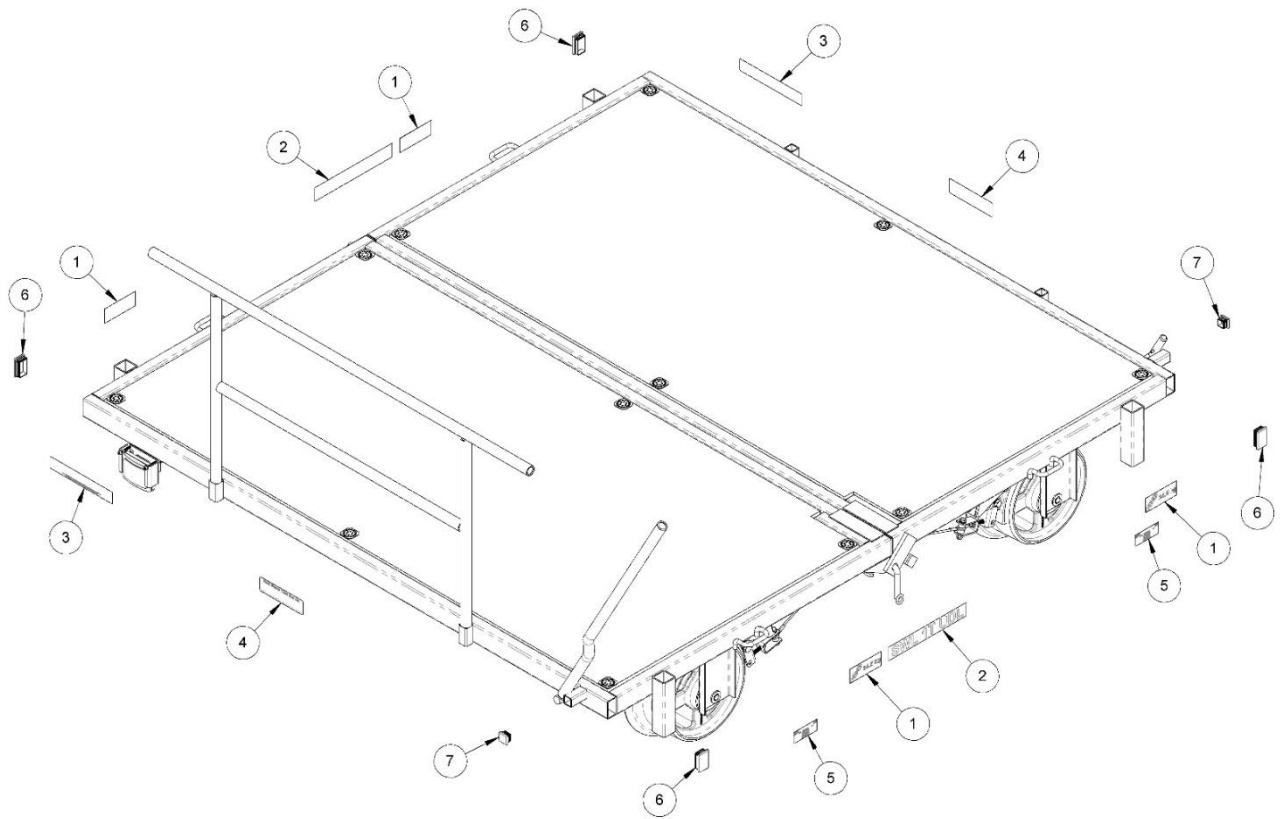
Item	Part No.	Description	Qty
1	040560027	Single Row Deep Groove Ball Bearing 15mm	8
2	05106	M/C Ø10" Wheel (STD)	4
3	040222422	Ø5 x 50 Seloc Pin	4
4	22556	Wheel Axle W/A	4

Insulated Wheel Assembly (LUL)



Item	Part No.	Description	Qty
1	040560027	Single Row Deep Groove Ball Bearing 15mm	8
2	04221	Insulating Bush	8
3	23905	M/C 10" Wheel (LUL)	4
4	040222422	Ø5 x 50 Seloc Pin	4
5	22556	Wheel Axle W/A	4

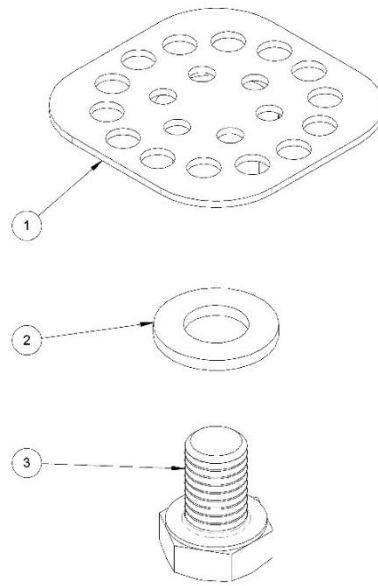
4.4 Labels and End Caps



Item	Part No.	Description	Qty
1	34673	34.5 Kg Lifting Point Label	4
2	29750	SWL 1T UDL Label	2
	39057	SWL 2T UDL Label	
3	040991528	Permaquip Label 200 x 33	2
4	33813	Next Brake Test Label	2
5	32984	Serial Number Label	2
6	040990202	30 x 50 Plastic End Cap	4
7	040990200	1" x 1" Plastic End Cap	2

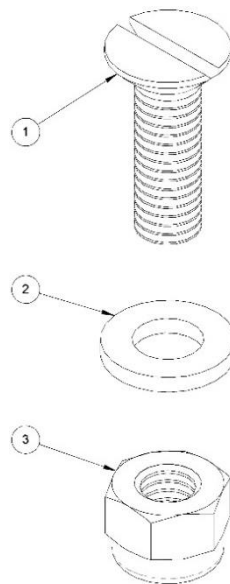
4.5 Deck/Board Fasteners

Standard Wooden Deck Board



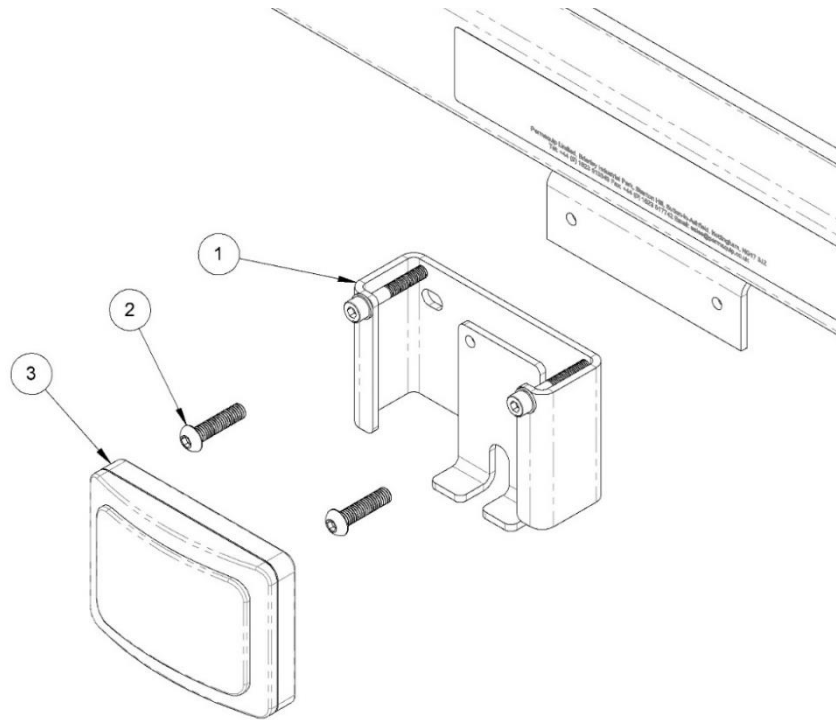
Item	Part No.	Description	Qty
1	040990832	M8 Big Head Fastener Zinc	12
2	040285104	M8 Form A Washer Zinc	12
3	040315063	M8 x 12 Hex Set Screw Zinc (8.8)	12

Aluminium Deck (LUL Only)



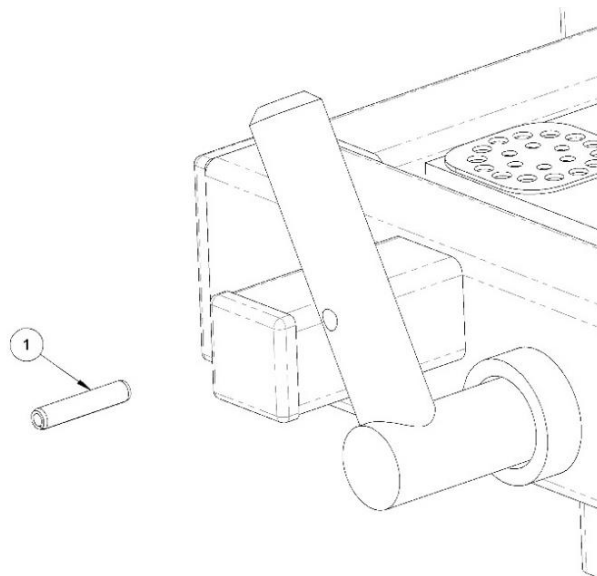
Item	Part No.	Description	Qty
1	040325032	M6 x 20 Csk Skt Set Screw Zinc (10.9)	12
2	040285103	M6 Form A Washer Zinc	12
3	040420011	M6 Nyloc Nut Zinc (8.0)	12

4.6 Red Light Brackets







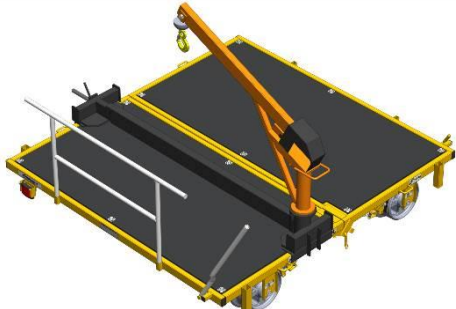
Item	Part No.	Description	Qty
1	33268	Light Bracket W/A	2
2	040320260	M6 x 25 Button Skt Set Screw Zinc (10.9)	4
3	040820218	Red Light	2

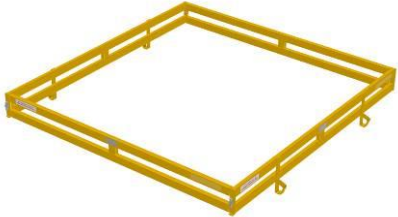
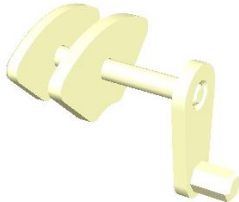


4.7 Brake Pin



Item	Part No.	Description	Qty
1	040222409	5 x 25 Seloc Pin	2

5 MAIN COMPONENTS AND ASSEMBLIES

	DESCRIPTION	PADS Cat. No.	PART NO
Type B Trolley (Standard)		PA05/03388	24681
Type B Trolley (LUL)		LUL Cert. Number PE007/123B	27791
Type B Trolley (Standard with insulated wheels)			27789
Swinglift Crane to Suit Type B Trolley c/w Straps			28810
Swinglift Crane to Suit Type A or B Trolley Side Fitting c/w Straps			38378

Trolley Sides			33043
Split Trolley Torque Tool			SPLITSWTT
Red Light			040820218
Wheel Profile Gauge			34597

For spare parts not shown please contact Permaquip Ltd for further information and support.

Our contact details are shown on the front of this spare parts list.

In order to avoid delay and to have your orders fulfilled promptly,

Please telephone, e-mail or write giving the following information:

- 1. Company name.**
- 2. Contact details.**
- 3. Invoicing and delivery details.**
- 4. Purchase order number.**
- 5. Method of delivery.**
- 6. Part number, description and quantity for each item.**